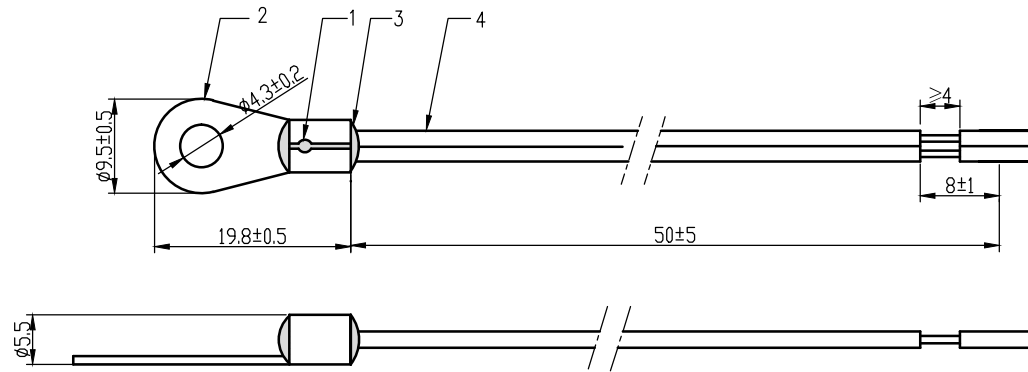


Mark	Num.	Modify files	Signature	Date



Item	Symbol	Test Condition	Performance	Unit
Rated resistance	R ₂₅	+25°C±0.02	10±1%	kohm
B value	B _{25/50}	25±0.02°C, +50±0.02°C	3950±1%	K
Time constant	τ	in the water	≤ 30	Sec
Dissipation factor	δ	in still air	Approx. 2.5	mW/°C
Voltage withstanding	U	AC1000V (Peak value)	No destroy or spark	V
Insulation resistance	R _i	DC500V	≥ 100	Mohm
Max.power	P _{max}	Ambient Temp.+25°C	5	mW
Operating Temp. Range	T _{opr}	-	-30 ~ +120	°C

Operation Notice

1. Application Temperature measure and control.
2. Avoid measure error caused by self heat when over current pass through.

Reliability test

1. Intensity
Fix the probe ,Pull the lead by striped wire end with 5N force for 10±1sec.
No visible damage.
2. High Temp.Store (In air)
100±3°C, 1000h
ΔR₂₅/R₂₅ ≤ ±3%
3. Low Temp.Store (In air)
-30±3°C, 1000h
ΔR₂₅/R₂₅ ≤ ±3%
4. Heat and Humidity Stability
40±2°C 92%RH~98%RH, 240h
ΔR₂₅/R₂₅ ≤ ±3%

4		Wire	1	PCS	UL4411 24AWG	Black		
3		Epoxy	1	PCS	Epoxy resin potting	Black		
2		Shell	1	PCS	RNB5.5-4L			
1		Component	1	PCS	NTC Thermistor			
No.	PN.	Name	Qty	Unit	Material	Remark		
		FocusSens			VERSION	A1	WEIGHT	
					MATERIAL		UNIT	mm
				SCALE	2:1			
				TOLERANCE	Temperature Sensor			
				0~10	MFP-103F3950AP500-0604			
				10~100				
				100~300	CUSTOMER NO	DRAWN NO	17121901	SIZE
				120~400				
				APPROVED	PAGE 1 OF 1			A3