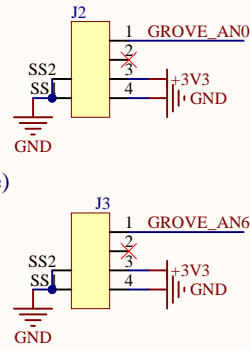
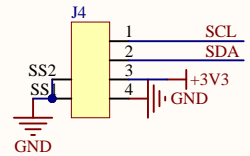


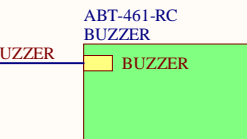
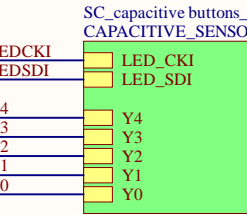
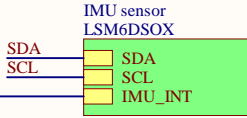
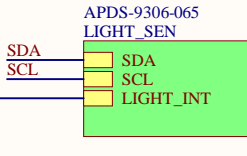
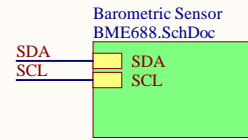
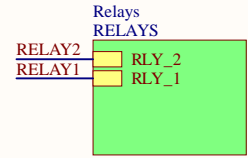
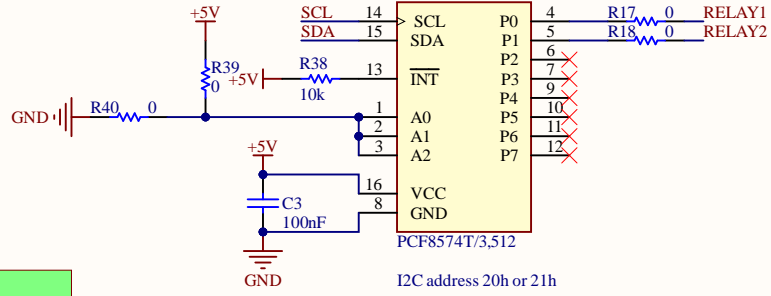
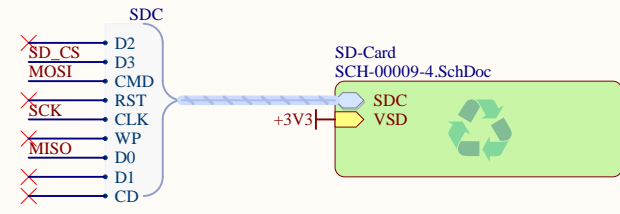
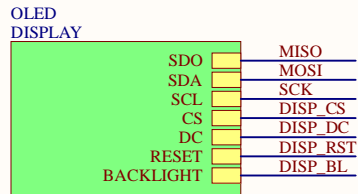
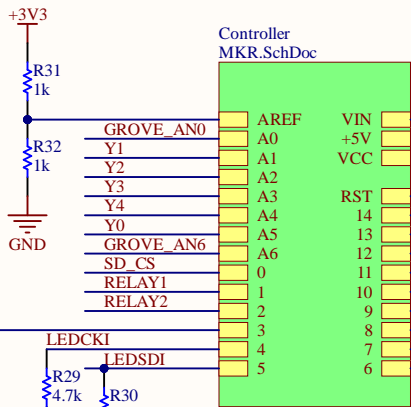
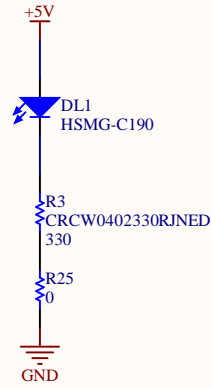
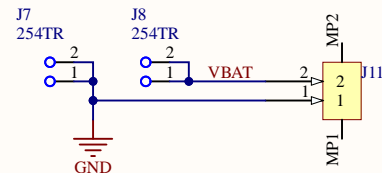
ANALOG PORTS (Grove)



I2C PORTS (Grove)

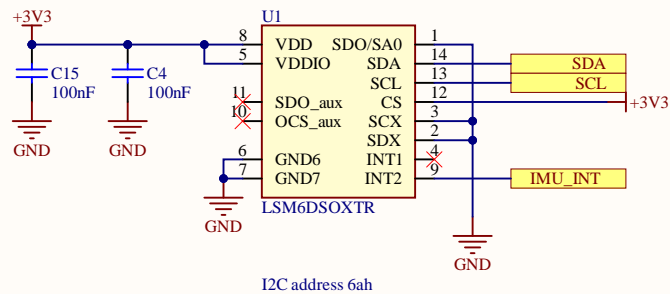


BATTERY CLIPS 18650
Battery Holder
Battery Holder1



Reference Designs ARE PROVIDED "AS IS" AND "WITH ALL FAULTS. Arduino SA DISCLAIMS ALL OTHER WARRANTIES, EXPRESS OR IMPLIED, REGARDING PRODUCTS, INCLUDING BUT NOT LIMITED TO, ANY IMPLIED WARRANTIES OF MERCHANTABILITY OR FITNESS FOR A PARTICULAR PURPOSE. Arduino SA may make changes to specifications and product descriptions at any time, without notice. The Customer must not rely on the absence or characteristics of any features or instructions marked "reserved" or "undefined". Arduino SA reserves these for future definition and shall have no responsibility whatsoever for conflicts or incompatibilities arising from future changes to them. The product information on the Web Site or Materials is subject to change without notice. Do not finalize a design with this info. ARDUINO and other Arduino brands and logos and Trademarks of Arduino SA. All Arduino SA Trademarks cannot be used without owner's formal permission.

IMU SENSOR





I2C address 6ah

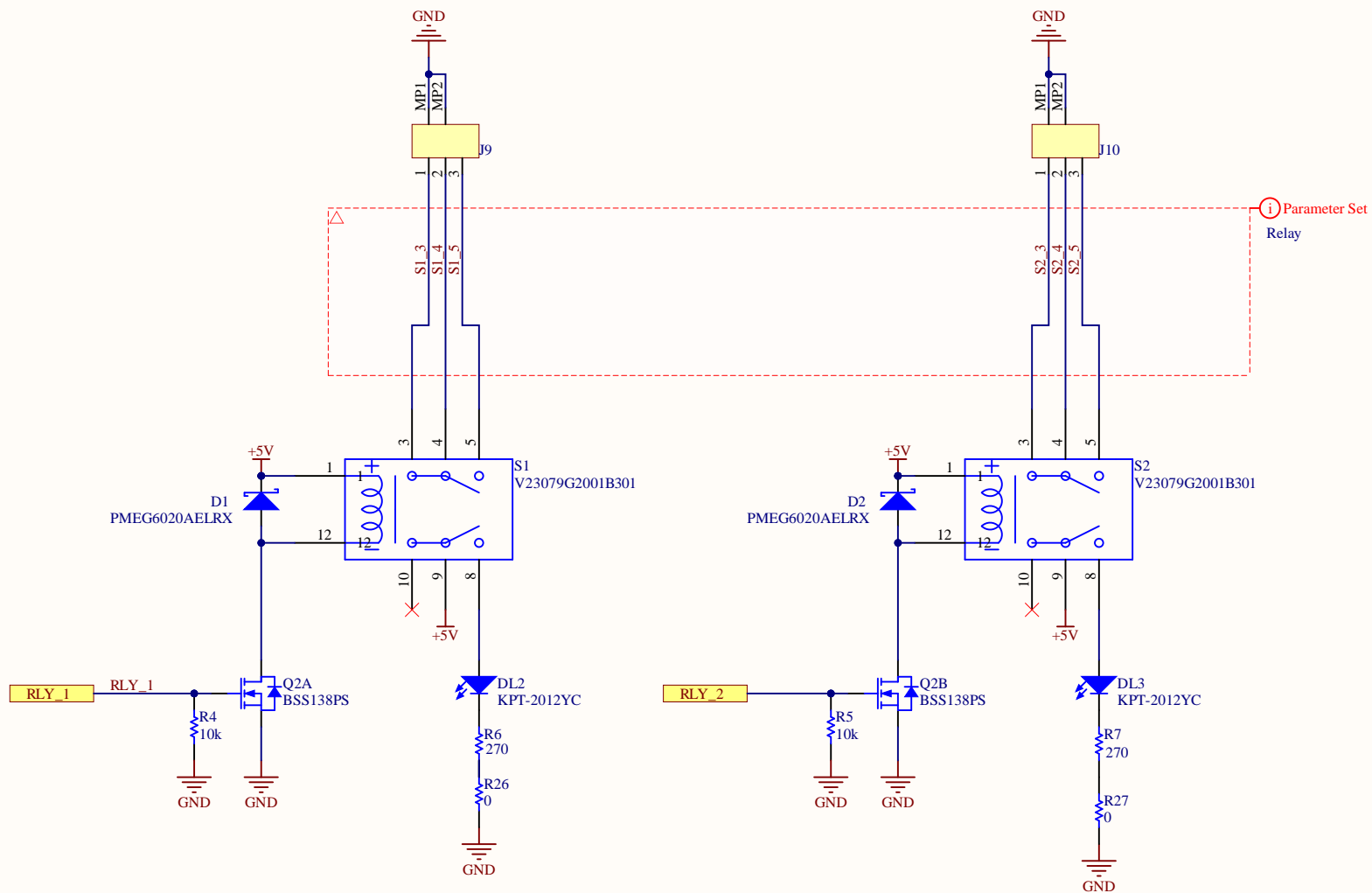
Reference Designs ARE PROVIDED "AS IS" AND "WITH ALL FAULTS". Arduino SA DISCLAIMS ALL OTHER WARRANTIES, EXPRESS OR IMPLIED, REGARDING PRODUCTS, INCLUDING BUT NOT LIMITED TO, ANY IMPLIED WARRANTIES OF MERCHANTABILITY OR FITNESS FOR A PARTICULAR PURPOSE.

Arduino SA may make changes to specifications and product descriptions at any time, without notice. The Customer must not rely on the absence or characteristics of any features or instructions marked "reserved" or "undefined". Arduino SA reserves these for future definition and shall have no responsibility whatsoever for conflicts or incompatibilities arising from future changes to them. The product information on the Web Site or Materials is subject to change without notice.

Do not finalize a design with this info. ARDUINO and other Arduino brands and logos and Trademarks of Arduino SA. All Arduino SA Trademarks cannot be used without owner's formal permission.

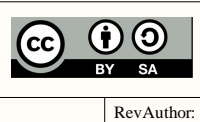
Title: MKR IoT Carrier R2		 	
ID: ABX00073	Revision: V1.2		
Date: 11/22/2022	Time: 1:18:55 PM	Sheet 2 of 10	
File: LSM6DSOX.SchDoc	Author: *	RevAuthor: Francesca Cenna	

RELAYS



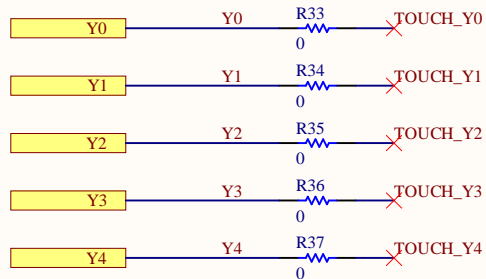
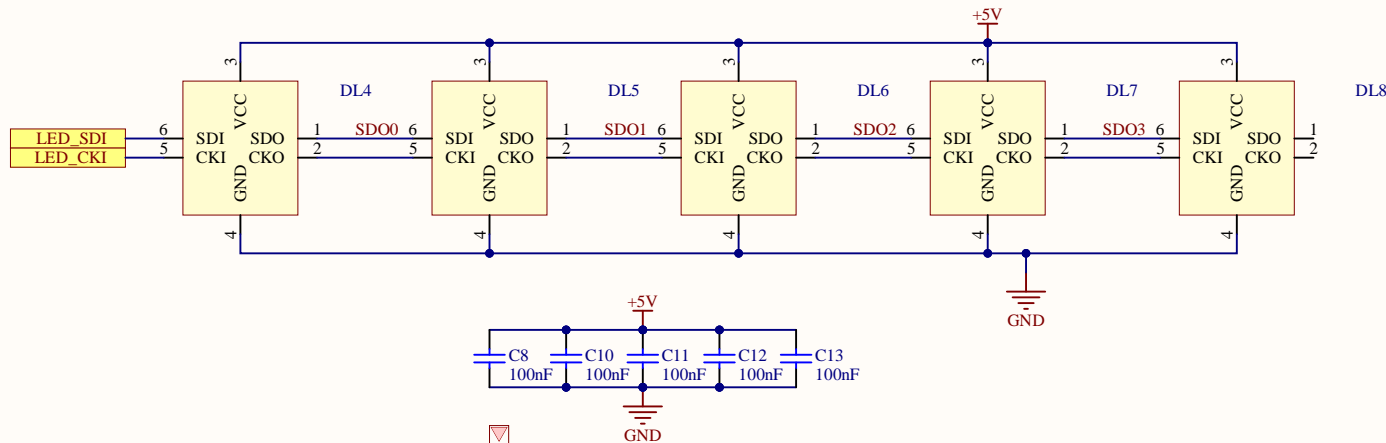
Reference Designs ARE PROVIDED "AS IS" AND "WITH ALL FAULTS". Arduino SA DISCLAIMS ALL OTHER WARRANTIES, EXPRESS OR IMPLIED, REGARDING PRODUCTS, INCLUDING BUT NOT LIMITED TO, ANY IMPLIED WARRANTIES OF MERCHANTABILITY OR FITNESS FOR A PARTICULAR PURPOSE. Arduino SA may make changes to specifications and product descriptions at any time, without notice. The Customer must not rely on the absence or characteristics of any features or instructions marked "reserved" or "undefined". Arduino SA reserves these for future definition and shall have no responsibility whatsoever for conflicts or incompatibilities arising from future changes to them. The product information on the Web Site or Materials is subject to change without notice. Do not finalize a design with this info. ARDUINO and other Arduino brands and logos and Trademarks of Arduino SA. All Arduino SA Trademarks cannot be used without owner's formal permission.

Title: MKR IoT Carrier R2	
ID: ABX00073	Revision: V1.2
Date: 11/22/2022 Time: 1:18:59 PM	Sheet 3 of 10
File: RELAYS.SchDoc	Author: *



RevAuthor: **Francesca Cenna**

TOUCH SENSORS AND RGB LEDs



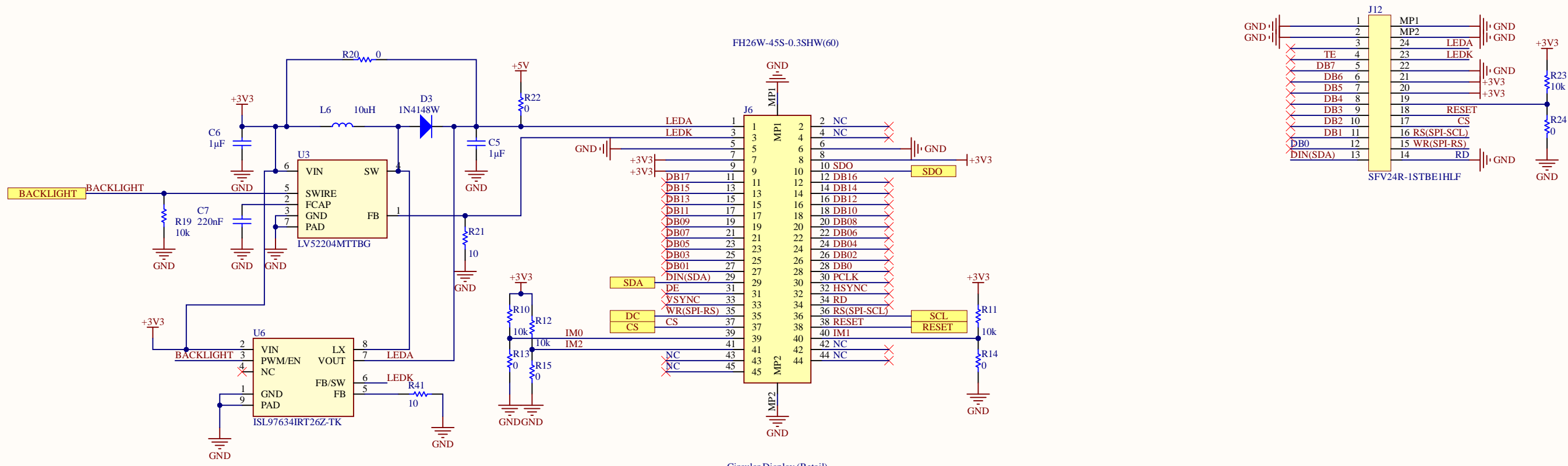
Reference Designs ARE PROVIDED "AS IS" AND "WITH ALL FAULTS". Arduino SA DISCLAIMS ALL OTHER WARRANTIES, EXPRESS OR IMPLIED, REGARDING PRODUCTS, INCLUDING BUT NOT LIMITED TO, ANY IMPLIED WARRANTIES OF MERCHANTABILITY OR FITNESS FOR A PARTICULAR PURPOSE.
 Arduino SA may make changes to specifications and product descriptions at any time, without notice. The Customer must not rely on the absence or characteristics of any features or instructions marked "reserved" or "undefined". Arduino SA reserves these for future definition and shall have no responsibility whatsoever for conflicts or incompatibilities arising from future changes to them. The product information on the Web Site or Materials is subject to change without notice.
 Do not finalize a design with this info. ARDUINO and other Arduino brands and logos and Trademarks of Arduino SA. All Arduino SA Trademarks cannot be used without owner's formal permission.

Title: MKR IoT Carrier R2	
ID: ABX00073	Revision: V1.2
Date: 11/22/2022 Time: 1:19:04 PM	Sheet 4 of 10
File: CAPACITIVE_SENSOR.SchDoc	Author: *

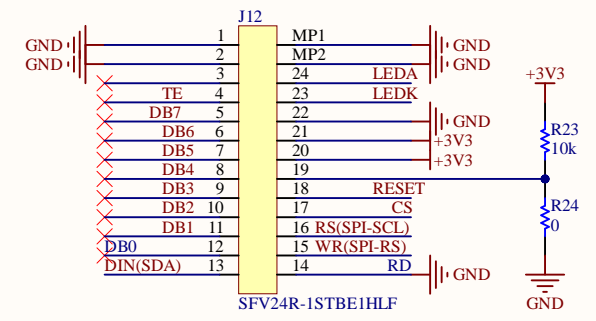


RevAuthor: **Francesca Cenna**

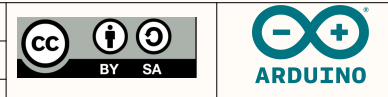
DISPLAY



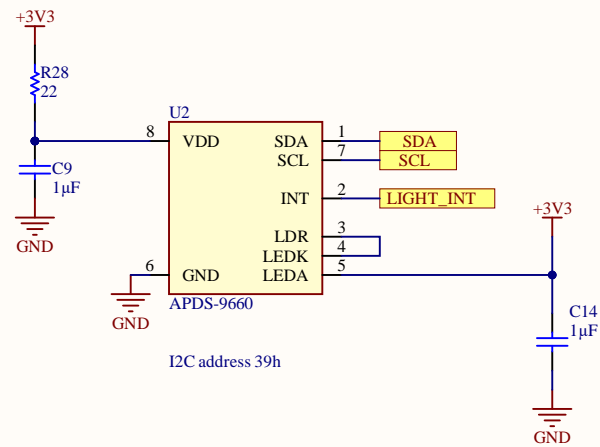
Circular Display (Retail)



Reference Designs ARE PROVIDED "AS IS" AND "WITH ALL FAULTS. Arduino SA DISCLAIMS ALL OTHER WARRANTIES, EXPRESS OR IMPLIED, REGARDING PRODUCTS, INCLUDING BUT NOT LIMITED TO, ANY IMPLIED WARRANTIES OF MERCHANTABILITY OR FITNESS FOR A PARTICULAR PURPOSE.
 Arduino SA may make changes to specifications and product descriptions at any time, without notice. The Customer must not rely on the absence or characteristics of any features or instructions marked "reserved" or "undefined".
 Arduino SA reserves these for future definition and shall have no responsibility whatsoever for conflicts or incompatibilities arising from future changes to them. The product information on the Web Site or Materials is subject to change without notice.
 Do not finalize a design with this info. ARDUINO and other Arduino brands and logos and Trademarks of Arduino SA. All Arduino SA Trademarks cannot be used without owner's formal permission.



AMBIENT LIGHT SENSOR



Reference Designs ARE PROVIDED "AS IS" AND "WITH ALL FAULTS". Arduino SA DISCLAIMS ALL OTHER WARRANTIES, EXPRESS OR IMPLIED, REGARDING PRODUCTS, INCLUDING BUT NOT LIMITED TO, ANY IMPLIED WARRANTIES OF MERCHANTABILITY OR FITNESS FOR A PARTICULAR PURPOSE.

Arduino SA may make changes to specifications and product descriptions at any time, without notice. The Customer must not rely on the absence or characteristics of any features or instructions marked "reserved" or "undefined". Arduino SA reserves these for future definition and shall have no responsibility whatsoever for conflicts or incompatibilities arising from future changes to them. The product information on the Web Site or Materials is subject to change without notice.

Do not finalize a design with this info. ARDUINO and other Arduino brands and logos and Trademarks of Arduino SA. All Arduino SA Trademarks cannot be used without owner's formal permission.

Title: **MKR IoT Carrier R2**

ID: **ABX00073**

Revision: **V1.2**

Date: **11/22/2022** Time: **1:19:13 PM**

Sheet **6** of **10**

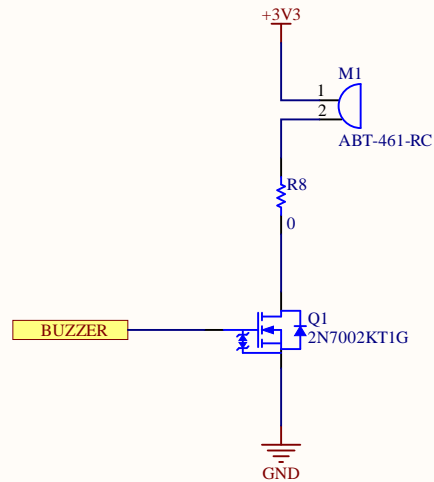
File: **LIGHT_SEN.SchDoc**

Author: *****





RevAuthor: **Francesca Cenna**

BUZZER

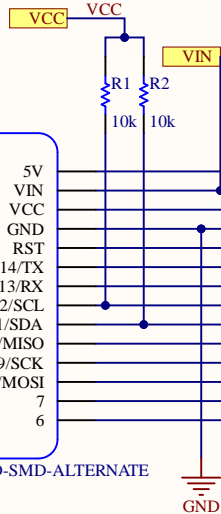
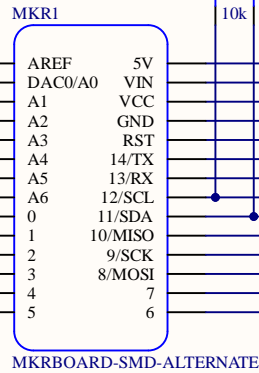


Reference Designs ARE PROVIDED "AS IS" AND "WITH ALL FAULTS. Arduino SA DISCLAIMS ALL OTHER WARRANTIES, EXPRESS OR IMPLIED, REGARDING PRODUCTS, INCLUDING BUT NOT LIMITED TO, ANY IMPLIED WARRANTIES OF MERCHANTABILITY OR FITNESS FOR A PARTICULAR PURPOSE.
 Arduino SA may make changes to specifications and product descriptions at any time, without notice. The Customer must not rely on the absence or characteristics of any features or instructions marked "reserved" or "undefined". Arduino SA reserves these for future definition and shall have no responsibility whatsoever for conflicts or incompatibilities arising from future changes to them. The product information on the Web Site or Materials is subject to change without notice.
 Do not finalize a design with this info. ARDUINO and other Arduino brands and logos and Trademarks of Arduino SA. All Arduino SA Trademarks cannot be used without owner's formal permission.

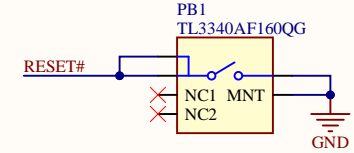
Title: MKR IoT Carrier R2		 	
ID: ABX00073	Revision: V1.2		
Date: 11/22/2022	Time: 1:19:18 PM	Sheet 7 of 10	
File: BUZZER.SchDoc	Author: *	RevAuthor: Francesca Cenna	

AREF	PA03_VREF_A
A0	PA02_AIN0
A1	PB02_AIN10
A2	PB03_AIN11
A3	PA04_AIN4
A4	PA05_AIN5
A5	PA06_AIN6
A6	PA07_AIN7
A6	PA22_TC4-W0
0	PA23_TC4-W1
1	PA10_TCC0-W2
2	PA11_TCC0-W3
3	PB10_TCC0-W4
4	PB11_TCC0-W5
5	

JANALOGI	
AREF	1 PA03_VREF_A
A0	2 PA02_AIN0
A1	3 PB02_AIN10
A2	4 PB03_AIN11
A3	5 PA04_AIN4
A4	6 PA05_AIN5
A5	7 PA06_AIN6
A6	8 PA07_AIN7
A6	9 PA22_TC4-W0
0	10 PA23_TC4-W1
1	11 PA10_TCC0-W2
2	12 PA11_TCC0-W3
3	13 PB10_TCC0-W4
4	14 PB11_TCC0-W5
5	



JDIGITALI	
14	5V
13	VIN
12	VCC
11	GND
10	GND
9	RST
8	14
7	13
6	12
5	11
4	10
3	9
2	8
1	7
	6



RESET#	RST
PB22_S5_TX	14
PB23_S5_RX	13
PA09_S0_I2C_SCL	12
PA08_S0_I2C_SDA	11
PA19_S1_MISO	10
PA17_S1_SCK	9
PA16_S1_MOSI	8
PA21_TCC0-W7	7
PA20_TCC0-W6	6

Reference Designs ARE PROVIDED "AS IS" AND "WITH ALL FAULTS". Arduino SA DISCLAIMS ALL OTHER WARRANTIES, EXPRESS OR IMPLIED, REGARDING PRODUCTS, INCLUDING BUT NOT LIMITED TO, ANY IMPLIED WARRANTIES OF MERCHANTABILITY OR FITNESS FOR A PARTICULAR PURPOSE. Arduino SA may make changes to specifications and product descriptions at any time, without notice. The Customer must not rely on the absence or characteristics of any features or instructions marked "reserved" or "undefined". Arduino SA reserves these for future definition and shall have no responsibility whatsoever for conflicts or incompatibilities arising from future changes to them. The product information on the Web Site or Materials is subject to change without notice. Do not finalize a design with this info. ARDUINO and other Arduino brands and logos and Trademarks of Arduino SA. All Arduino SA Trademarks cannot be used without owner's formal permission.

Title: MKR IoT Carrier R2

ID: ABX00073

Revision: V1.2

Date: 11/22/2022 Time: 1:19:22 PM

Sheet 8 of 10

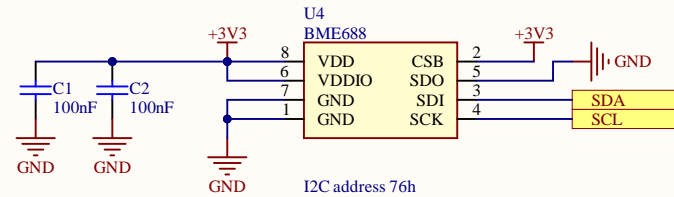
File: MKR_SchDoc

Author: *



RevAuthor: Francesca Cenna

BAROMETRIC SENSOR



Reference Designs ARE PROVIDED "AS IS" AND "WITH ALL FAULTS". Arduino SA DISCLAIMS ALL OTHER WARRANTIES, EXPRESS OR IMPLIED, REGARDING PRODUCTS, INCLUDING BUT NOT LIMITED TO, ANY IMPLIED WARRANTIES OF MERCHANTABILITY OR FITNESS FOR A PARTICULAR PURPOSE.
 Arduino SA may make changes to specifications and product descriptions at any time, without notice. The Customer must not rely on the absence or characteristics of any features or instructions marked "reserved" or "undefined". Arduino SA reserves these for future definition and shall have no responsibility whatsoever for conflicts or incompatibilities arising from future changes to them. The product information on the Web Site or Materials is subject to change without notice.
 Do not finalize a design with this info. ARDUINO and other Arduino brands and logos and Trademarks of Arduino SA. All Arduino SA Trademarks cannot be used without owner's formal permission.

Title: **MKR IoT Carrier R2**

ID: **ABX00073**

Revision: **V1.2**

Date: **11/22/2022** Time: **1:19:27 PM**

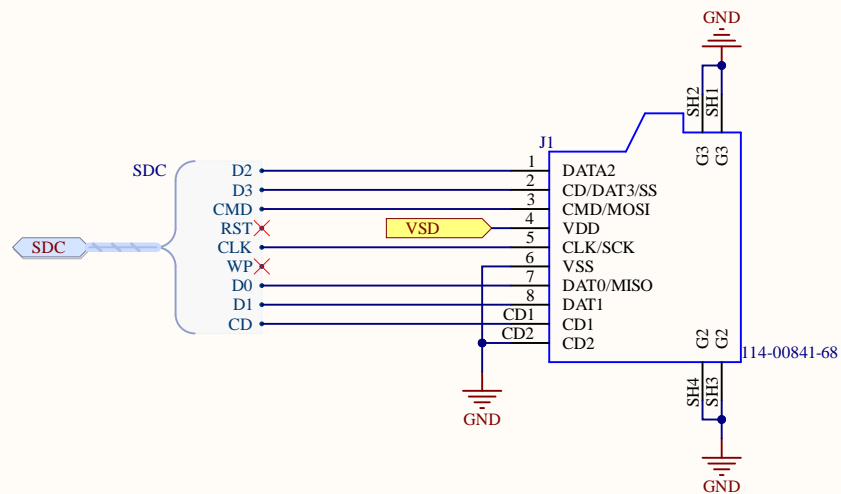
Sheet **9** of **10**

File: **BME688.SchDoc**



Author: *****

RevAuthor: **Francesca Cenna**





Reference Designs ARE PROVIDED "AS IS" AND "WITH ALL FAULTS. Arduino SA DISCLAIMS ALL OTHER WARRANTIES, EXPRESS OR IMPLIED, REGARDING PRODUCTS, INCLUDING BUT NOT LIMITED TO, ANY IMPLIED WARRANTIES OF MERCHANTABILITY OR FITNESS FOR A PARTICULAR PURPOSE. Arduino SA may make changes to specifications and product descriptions at any time, without notice. The Customer must not rely on the absence or characteristics of any features or instructions marked "reserved" or "undefined". Arduino SA reserves these for future definition and shall have no responsibility whatsoever for conflicts or incompatibilities arising from future changes to them. The product information on the Web Site or Materials is subject to change without notice. Do not finalize a design with this info. ARDUINO and other Arduino brands and logos and Trademarks of Arduino SA. All Arduino SA Trademarks cannot be used without owner's formal permission.

Title: SDConnector		 
ID: *	Revision: 0.1	
Date: 11/22/2022 Time: 1:19:31 PM	Sheet of *	RevAuthor: Francesca Cenna
File: SCH-00009-4.SchDoc	Author:	