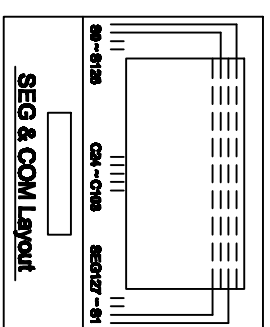
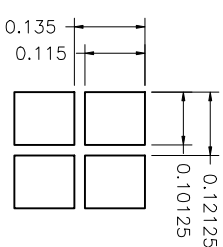
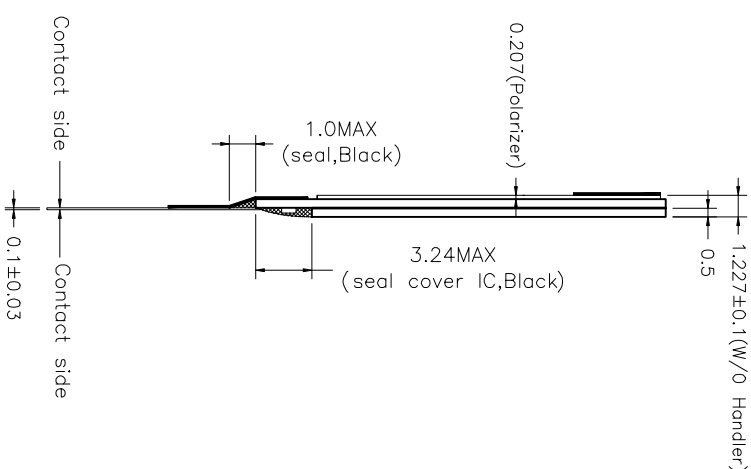
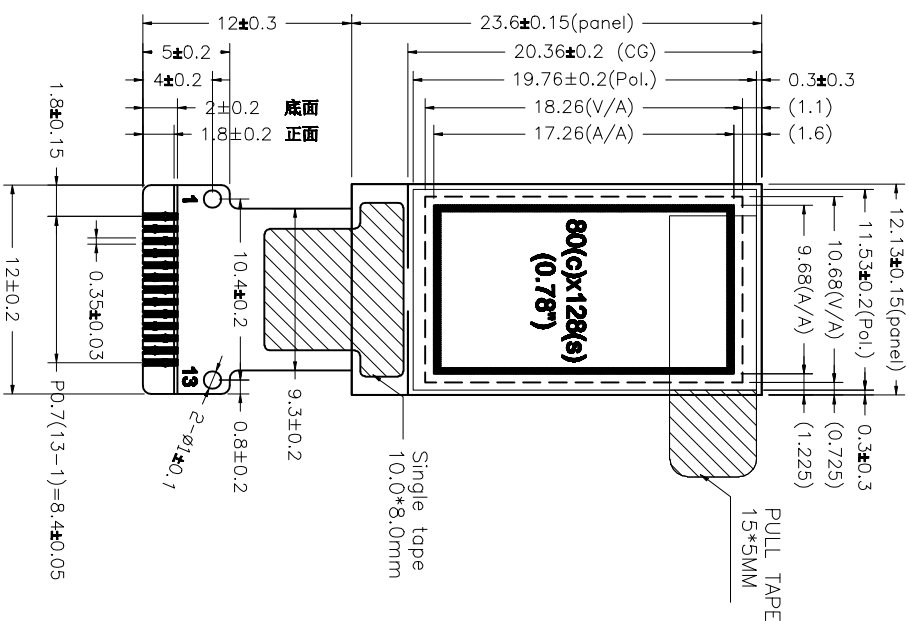


REV.	DESCRIPTION	REVISER	DATE
A0	First	luojinwei	2018-06-14



PIN	SYMBOL
1	NC
2	VPP
3	VCOMH
4	VDD
5	IM1
6	REF
7	CS
8	RES
9	A0
10	D0
11	D1
12	VSS
13	NC

由 Autodesk 教育版产品制作

- Specifications:
1. Display : OLED(White).
 2. Dot Matrix: 80*128
 3. Dot Size: 0.10125*0.115mm
 4. Dot Pitch: 0.12125*0.135mm
 5. Aperture Rate: 71%
 6. Active Area : 9.68*17.26mm
 7. Drive IC: SH1107
 8. FPC P/N: FPC-HP80128-00-A0

深圳市金逸晨电子有限公司

Unpackaged Tolerances:	±0.20	UNIT8: mm	DATE:	MODEL NUMBER:	PROJECTION	SHEET:	1 OF 1
DESIGN BY:	luojinwei		2018-06-14	GM80128-00-THWG13P078-A		SCALE:	1 : 1
CHECKED BY:							
DO NOT SCALE THIS DRAWING.							