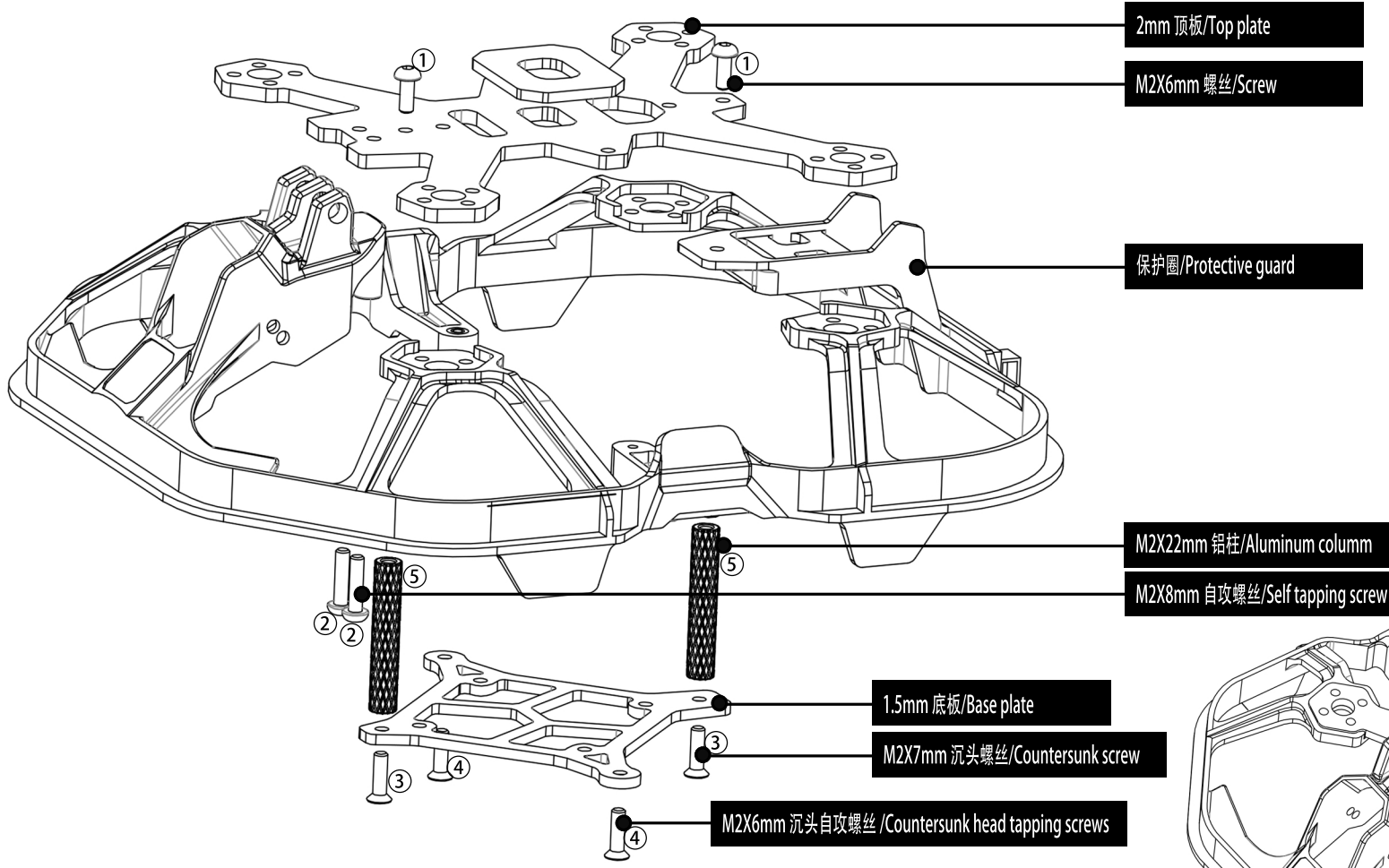


HGLRC KT20 Frame



Carbon Fiber list

- 1.5mm 底板/Base plate 1
- 2mm 顶板/Top plate 1

Screw list

- ① M2x6mm Screw 2
- ② M2x8mm Self tapping screw 2
- ③ M2x7mm Countersunk screw 2
- ④ M2x6mm Countersunk head tapping screws 2
- ⑤ M2x22mm Aluminum column 2

Die opening

- 保护圈/Protective guard 1

